

# The Toilet Roll Holder

Instruction Manual

[invisiblecreations.co.uk](http://invisiblecreations.co.uk)



INVISIBLE®  
CREATIONS

# The Toilet Roll Holder - Instruction Manual

## Instructions

1. Mark out the mounting positions on a suitable surface
2. Do not install into plasterboard unless it is reinforced
3. Drill holes to suit wall fixings (Not supplied)
4. Ensure the product is safe to use.

## General safety warning:

Please ensure these instructions are fully read and implemented. Failure to do so may result in injury to the user. Retain in a safe place for future reference. The product must be installed by a competent professional onto a surface that is deemed suitable.

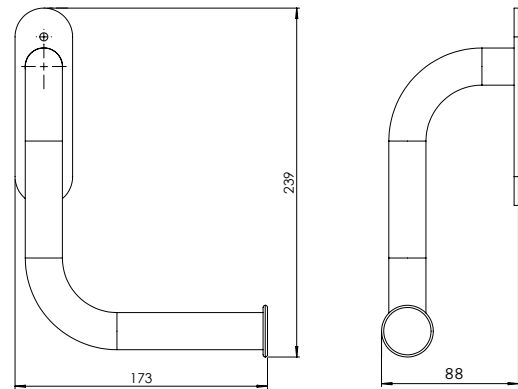
Should you see any damage during unpacking or suspect a fault, do not install the product and contact your supplier immediately.

Products have been tested to a load of 160kg for 60 seconds in accordance with BS ISO 17966:2016 on a suitable surface.

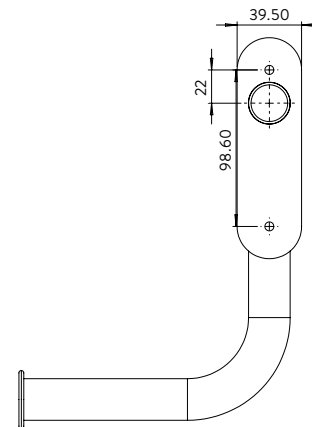
## Disclaimers, Installation and further safety information:

1. This product must be correctly assembled, installed, and maintained.
2. If installing the product in a showering or bathing area it may need to be earthed to conform with IEE Wiring regulations for metallic components within bathrooms. Consult a suitably qualified person prior to installation.
3. Support rails can be slippery when wet – use this product with caution.
4. It is recommended that this product is installed by a suitably qualified, competent person.
5. Only install the product in an area where the mounting surface is structurally sound. (Strengthening modifications to the fixing surface may be required.)
6. This product must be secured to the wall using fasteners which are appropriate to the structural base material.
7. Waterproofing is recommended and all fixings used should be none rusting. Sealant should be applied around the wall contact points for any products mounted in a shower. If not properly sealed, there is the potential for water ingress. This may cause the wood to rot, compromising the structure and safety of the support rail.
8. DO NOT install in fibreglass / acrylic shower enclosures with insufficient stiffness and strength. The maximum rated load of this product is 100kg based on the product being fitted to a suitable surface using appropriate fixings in accordance with BS ISO 17966:2016.
9. Any screw caps that are used must be securely fixed so that they cannot be removed during normal usage.

## Simplified product dimensions

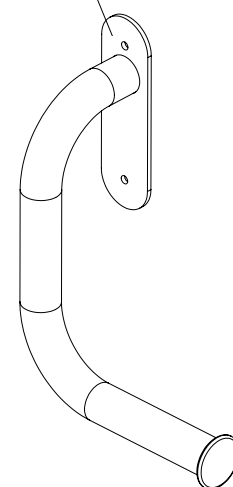


## Wall fixing locations



## Additional visual and recycling info

Product is 100% recyclable



# Get in touch

[invisiblecreations@procare-ltd.co.uk](mailto:invisiblecreations@procare-ltd.co.uk)

01942 206 004 | [invisiblecreations.co.uk](http://invisiblecreations.co.uk)



INVISIBLE®  
CREATIONS



@inviscreations