

The Plant Pot Holder

Instruction Manual

invisiblecreations.co.uk



INVISIBLE®
CREATIONS

The Plant Pot Holder - Instruction Manual

Please note: The shelf is packaged separately and must be attached using the thumb screws provided

Instructions

1. Mark out fixing points on a suitable surface
2. The height from ground should match the user's requirements
3. Drill holes to suit the wall fixings (Not supplied)
4. Attach to the surface securely using the 4 fixing positions
5. Ensure that the product is safe to use.

General safety warning:

Please ensure these instructions are fully read and implemented. Failure to do so may result in injury to the user. Retain in a safe place for future reference. The product must be installed by a competent professional onto a surface that is deemed suitable.

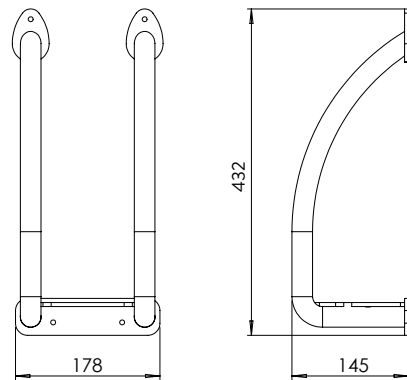
Should you see any damage during unpacking or suspect a fault, do not install the product and contact your supplier immediately.

Products have been tested to a load of 160kg for 60 seconds in accordance with BS ISO 17966:2016 on a suitable surface.

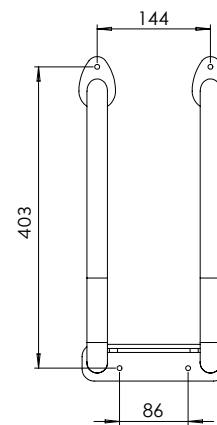
Disclaimers, Installation and further safety information:

1. This product must be correctly assembled, installed, and maintained.
2. The shelf is secured using the thumb screws provided.
3. Support rails can be slippery when wet – use this product with caution.
4. It is recommended that this product is installed by a suitably qualified, competent person.
5. Only install the product in an area where the mounting surface is structurally sound. (Strengthening modifications to the fixing surface may be required.)
6. This product must be secured to the wall using fasteners which are appropriate to the structural base material.
7. Any screw caps that are used must be securely fixed so that they cannot be removed during normal usage.

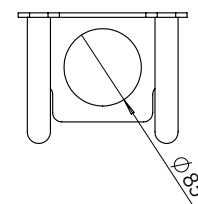
Simplified product dimensions



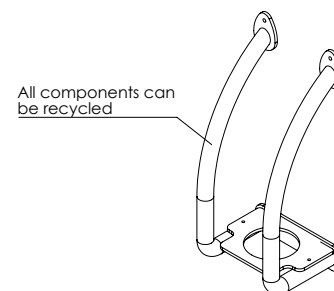
Wall fixing locations



Plant pot hole size



Components that can be recycled



Get in touch

invisiblecreations@procare-ltd.co.uk

01942 206 004 | invisiblecreations.co.uk



INVISIBLE®
CREATIONS



@inviscreations